

## BYS series explosion-proof anti-corrosion fluorescent lamp

### Scope of application

1. Used in Zone 1 and Zone 2; Zone 21 and Zone 22; IIA, IIB, IIC;
2. Temperature group: T1~T6;
3. Suitable for energy saving renovation projects and places where maintenance and replacement are difficult;
4. Widely used in petroleum exploitation, refining, chemical industry, military industry, textile, food processing and offshore oil platform, tanker and other places of lighting.



Lamps

### Feature of product

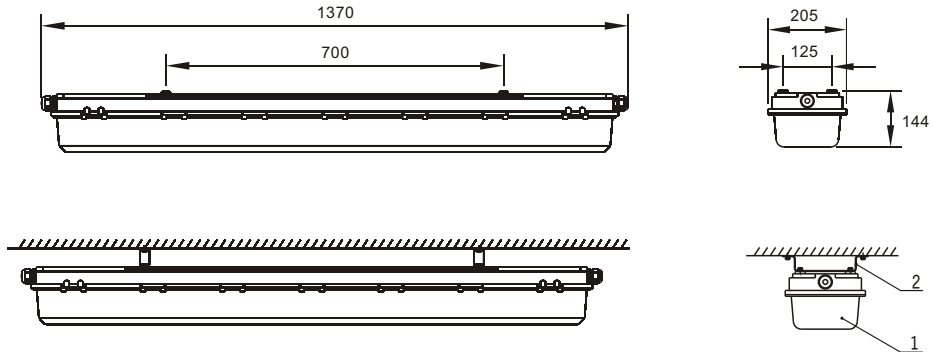
1. The shell is molded with high-strength SMC. The transparent cover adopts polycarbonate injection molding with good light transmittance and strong impact resistance;
2. Labyrinth structure is adopted for the shell, which is characterized by good dust-proof, waterproof and strong corrosion resistance;
3. The built-in ballast is a special explosion-proof ballast with a power factor  $\geq 0.95$ . The built-in disconnecting switch automatically cuts off the power supply when the product is opened to improve the safety performance of the product; and it has short circuit and open circuit protection functions, and is equipped with prevention circuit for aging effect and air leakage of the lamp tube, so that the lamp can work normally, with high efficiency and energy saving, and wide voltage input range, Constant power output;
4. Equipped with well-known brand fluorescent tubes, with long service life and high luminous efficiency;
5. Emergency devices can be configured according to user requirements. When the external power is cut off, the lamps will automatically switch to the emergency lighting state;
6. Steel pipe or cable wiring is acceptable.

### Technical parameter

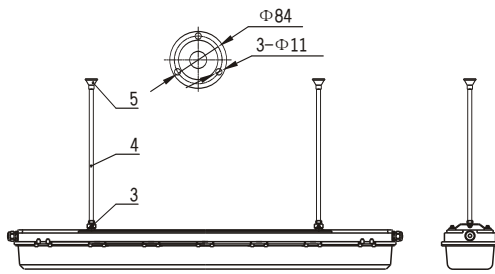
Model	Explosion proof sign	light source	Lamp type	Power (W)	Luminous flux (Lm)	Color temperature (K)	Weight (kg)
BYS-□	Ex db eb mb II C T5 Gc Ex tb III C T80°C Db	LED	I	1×9 2×9 3×9	589 1165 1740	3000~5700	2.5
			II	1×18 2×18 3×18	1156 2312 3432		6

Rated voltage/frequency	Inlet thread	Cable outer diameter	Emergency charging time	Emergency starting time	Emergency lighting time	Degree of protection	Anti corrosion grade
220V/50Hz	G1/2	Φ7~Φ10mm	24h	≤0.3s	≥90min	IP65/66	WF2

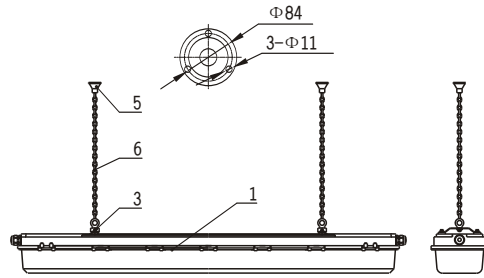
## Appearance and installation example



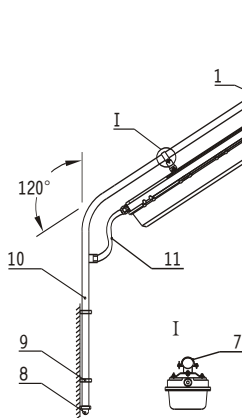
x: Ceiling mounted



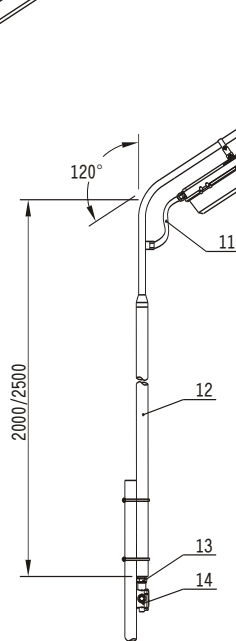
g: Suspender type



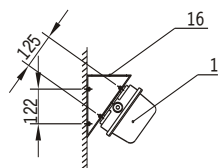
d: Hanging chain type



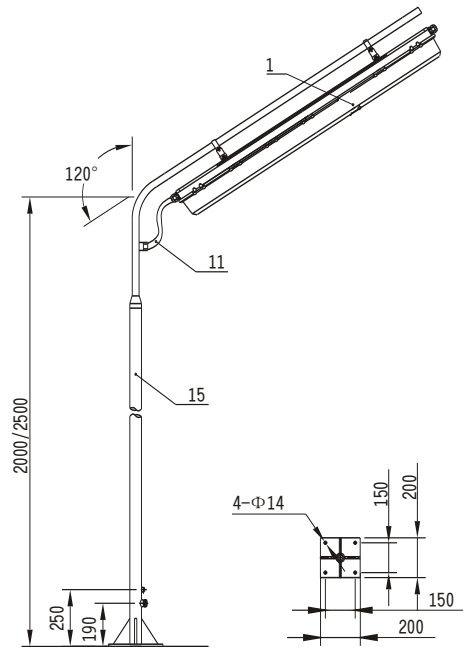
w: Bent bar type



h: Guardrail type



b: Wall mounted



f: Flange type

Lamps