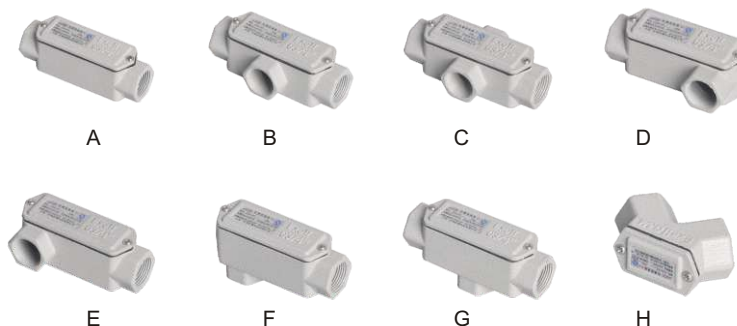


## YHXe series explosion-proof threading box

### Scope of application

1. It is applicable to the places in Zone 1 and Zone 2 of explosive gas environment;
2. It is applicable to the places in Zone 21 and 22 of combustible dust environment;
3. Suitable for IIA, IIB and IIC explosive gas environment;
4. Applicable to T1-T6 temperature group;
5. It is applicable to dangerous environments such as oil exploitation, oil refining, chemical industry, military Industry, offshore oil platforms, oil tankers, metal processing, etc. as the connection and turning direction change of steel pipe wiring.




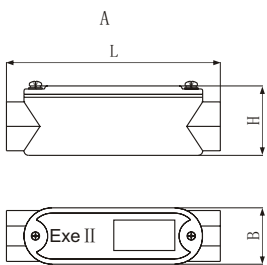

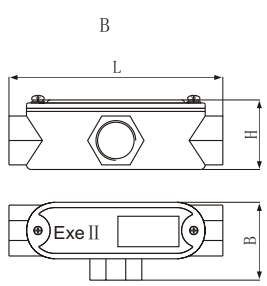
### Feature of product

1. Aluminum alloy die-casting shell, after high-speed shot peening, the surface is subject to high-voltage electrostatic spraying;
2. Exposed stainless steel fasteners with high anti-corrosion performance;
3. There are many ways and specifications for the inlet and outlet.


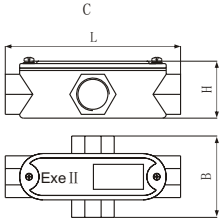

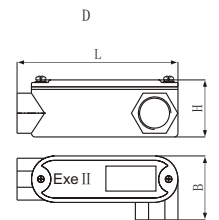

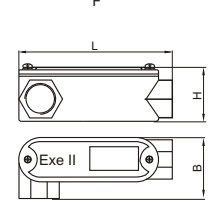

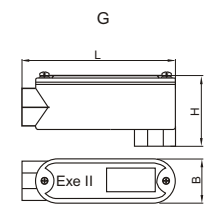

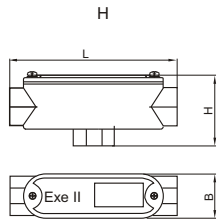

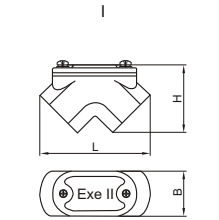
### Technical parameter

Explosion proof sign	Degree of protection	Anti corrosion grade
Ex eb II C Gb / Ex tb III CT80°C Db	IP66	WF1 / WF2

### Model Selection Table

Model	Inner diameter of pipe(Φmm)	Pipe thread (G)	Sketch Map	Overall dimensions(mm)		
				L	B	H
 YHXe-A□ Straight through	15	1/2		110	33	44
	20	3/4		130	38	48
	25	1		155	45	54
	32	1 1/4		188	58	68
	40	1 1/2		200	60	78
	50	2		248	76	96
	70	2 1/2		200	94	116
	80	3		260	108	128
 YHXe-B□ tee	15	1/2		110	50	44
	20	3/4		130	55	48
	25	1		155	67	54
	32	1 1/4		188	78	68
	40	1 1/2		200	80	78
	50	2		248	96	96
	70	2 1/2		200	114	116
	80	3		260	131	128
	100	4		300	145	135

## Model Selection Table

Model	Inner diameter of pipe(Φmm)	Pipe thread (G)	Sketch Map	Overall dimensions(mm)		
				L	B	H
 YHXe-C□ Four-way	15	1/2		110	67	44
	20	3/4		130	72	48
	25	1		155	89	54
	32	11/4		188	98	68
	40	11/2		200	100	78
	50	2		248	116	96
	70	21/2		200	134	116
	80	3		260	154	128
	100	4		300	180	135
 YHXe-D□ Right pass	15	1/2		101	50	44
	20	3/4		121	55	48
	25	1		141	67	54
	32	11/4		170	78	68
	40	11/2		182	80	78
	50	2		228	96	96
	70	21/2		240	114	116
	80	3		243	134	128
	100	4		275	145	135
 YHXe-E□ Left pass	15	1/2		101	50	44
	20	3/4		121	55	48
	25	1		141	67	54
	32	11/4		170	78	68
	40	11/2		182	80	78
	50	2		228	96	96
	70	21/2		240	114	116
	80	3		243	131	128
	100	4		275	145	135
 YHXe-F□ Rear cover elbow	15	1/2		101	33	59
	20	3/4		121	38	65
	25	1		141	45	77
	32	11/4		170	58	88
	40	11/2		182	60	98
	50	2		228	76	116
	70	21/2		240	94	136
	80	3		243	108	151
	100	4		275	120	160
 YHXe-G□ Rear cover tee	15	1/2		101	33	59
	20	3/4		121	38	65
	25	1		141	45	77
	32	11/4		170	58	88
	40	11/2		182	60	98
	50	2		228	76	116
	70	21/2		240	94	136
	80	3		243	108	151
	100	4		275	120	160
 YHXe-H□ Yuanbao (Jiaotong)	15	1/2		101	30	58
	20	3/4		121	35	73
	25	1		141	42	83
	32	11/4		170	50	100
	40	11/2		182	60	108
	50	2		228	72	122
	70	21/2		240	86	136
	80	3		243	102	139
	100	4		275	120	142

Pipe fitting